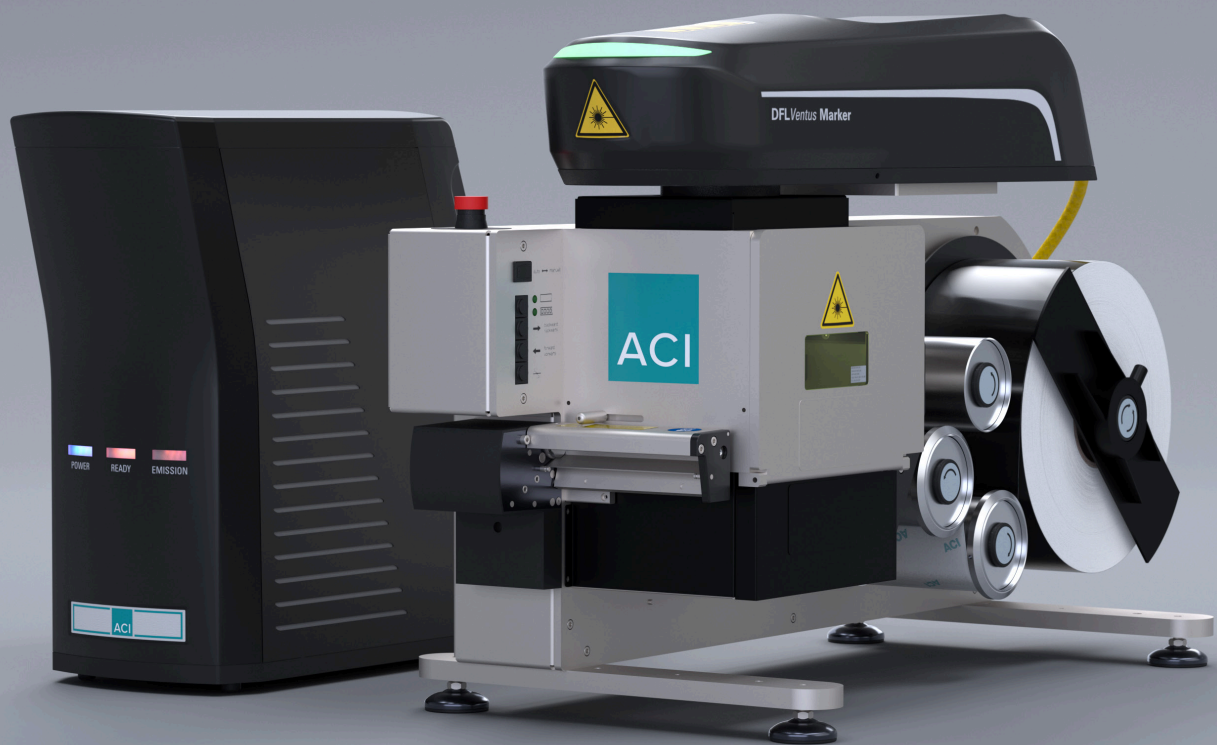


Laser. Marking. Solutions.



Foil Star

Thoroughly sophisticated

Laser stations with guaranteed quality

Laser stations from ACI are designed as manual workstations for laser material processing of individual parts and small series, as well as fully automated all-in-one solutions for large quantities.

The **Foil Star** is a film handling system which is used in cases where it is not possible to mark the material directly using a laser beam. Long-lasting, high-quality and resistant marking of special films and labels can be achieved in large quantities using the **Foil Star**.

Turnkey system solutions in accordance with laser safety class 1 guarantee maximum safety. No additional safety devices are required. The ergonomically optimised device structure of the benchtop workstations and the practice-oriented functionality ensure excellent user satisfaction.

The **Foil Star** can be combined with all marking lasers from ACI and is ideal for film marking.

CONTENTS

- Foil Star | Page 3
- Marking process | Page 7
- Control | Page 8
- Partnerships with ACI | Page 9
- Contact, legal information | Page 10

Foil Star



Foil Star

The handling system for laser films

Labels which are resistant to the effects of temperature, abrasive wear, chemicals and atmospheric influences; on which neither colours nor writing smudge or fade – these specifications are perfectly met with our **Foil Star** laser station. Any 2D contour that you care to think of is possible.

The strong adhesion of the special films provides excellent protection against warranty fraud and counterfeiting. Additionally, predetermined breaking points ensure that the labels cannot be completely removed and will tear if an attempt is made to remove them.

→ Properties and optional features

→ Technical specifications

→ Application examples

Properties

The **Foil Star** is equipped with an integrated cutting blade as standard for cutting off finished label sets.

The user-friendly **Magic Mark V3** marking software is included in the scope of supply. In addition to fixed layouts, the optionally available data import plugin allows customised marking content to be imported from Excel or XML tables, for example. The script application can be used to quickly and flexibly extend the software to meet customers' specific requirements.

Equipment Foil Star

Continuous mode:
Use of a continuous web of materials

Label mode: Precut labels from the roll

Laser extraction system

Forward and backward feed

Integrated cutting blade

Can be combined with the following lasers

- Economy Diode ●
- Economy Fibre ●
- Business Diode ●
- Business Fibre ●
- Business CO₂ ●

● Yes — No

Optional features

Desktop or industrial PC

External winding unit
Roll diameter
300 mm

Technical specifications

Foil Star

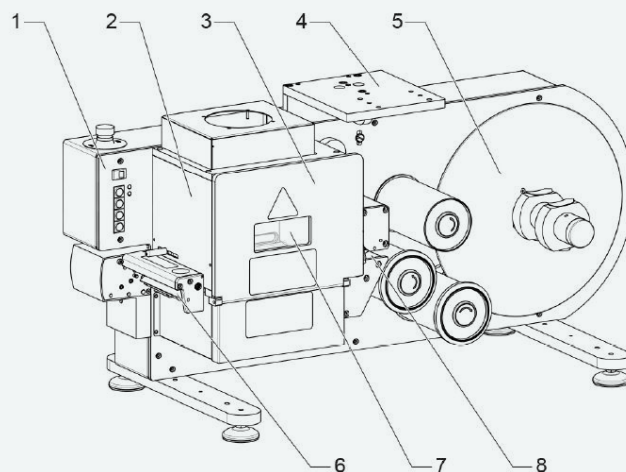
Size (max.) L×W×H ¹	847 × 373 × 426 mm
Weight	26 kg
Diameter of attachable film rollers	300 mm
Label width	120 mm
Feed rate	100 mm / sec
Marking area W×D ²	110 × 110 mm
Resolution	Up to 725 dpi
Laser class	1
Functional safety in accordance with DIN EN ISO 13849-1	PLe

1 Information provided includes feet but excludes laser

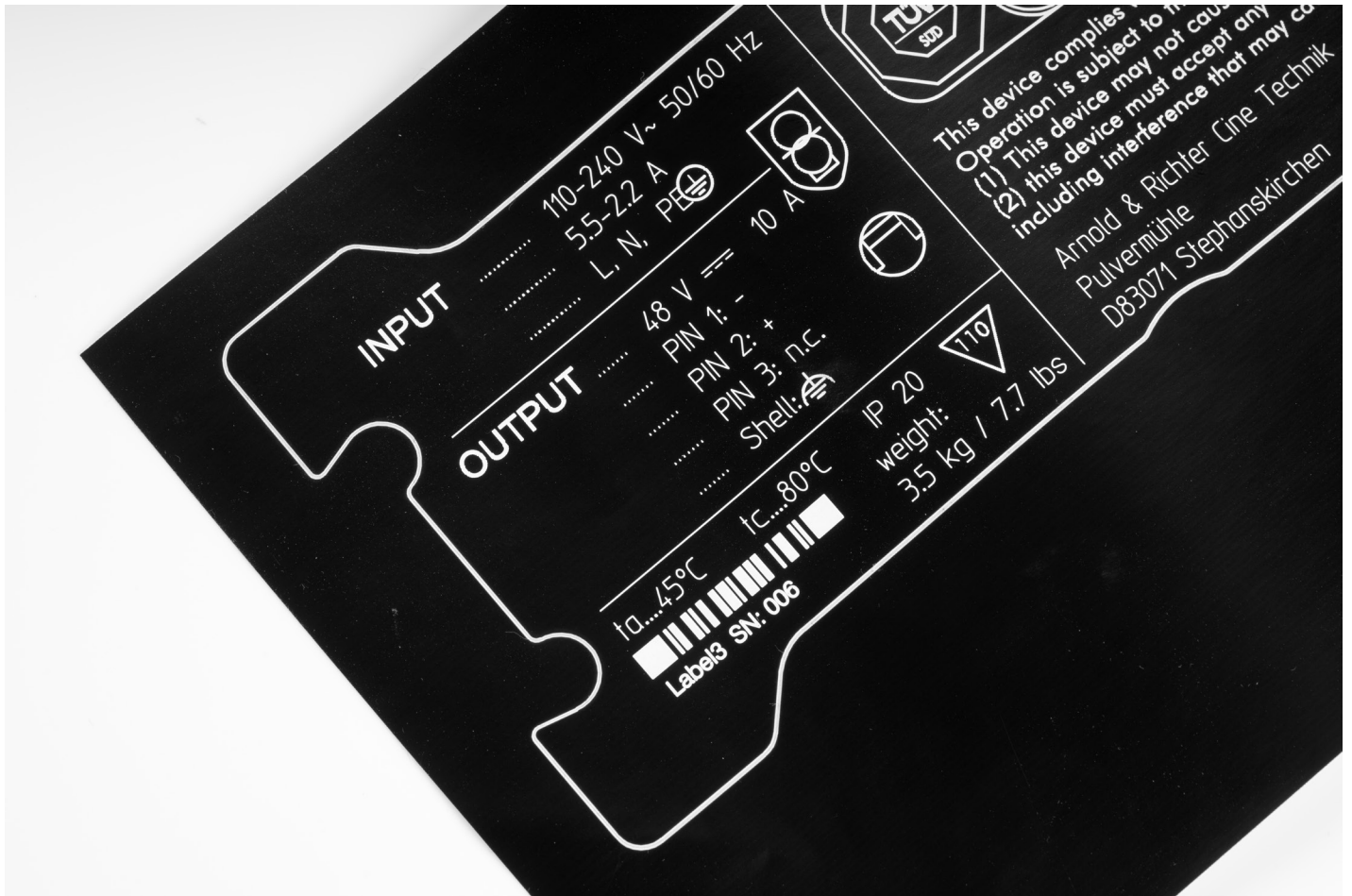
2 Depending on the lens of the laser marking system used

Structure

- 1 Control panel
- 2 Marking chamber
- 3 Safety door
- 4 Mounting plate for laser system
- 5 Winding device
- 6 Cutting unit
- 7 Laser safety window
- 8 Pressing unit



Application examples



Laser ablation films

Marking process

Laser ablation films and colour change films can be used on the **Foil Star**.

The laser ablation films usually consist of two coloured layers. Targeted parametrisation allows the top layer to be removed and the contrast layer beneath to be exposed, as well as the label to be cut out in any shape down to the backing.

Once it has been finished, the label can be removed from the backing and affixed to the component.

The effect of the laser beam does not remove the colour layer on the colour change film but changes its colour, producing a corresponding contrast.



Control

The film transportation and marking process are controlled using the **Magic Mark V3** software included in the scope of supply, which features an integrated **Foil Star** plugin.

The integrated **Foil Star plugin** (Fig. 1) is used for connecting and controlling the **Foil Star** and for the fully automated processing of marking templates. Any number of marking jobs (Fig. 2) can be defined. The number of labels on a predefined length of film can be configured, as can the total number of labels. Multiple predefined label

templates can be combined into one marking job and can be processed in batch mode with a click of the mouse.

Specialists require little training to operate the program for creating and processing marking jobs.

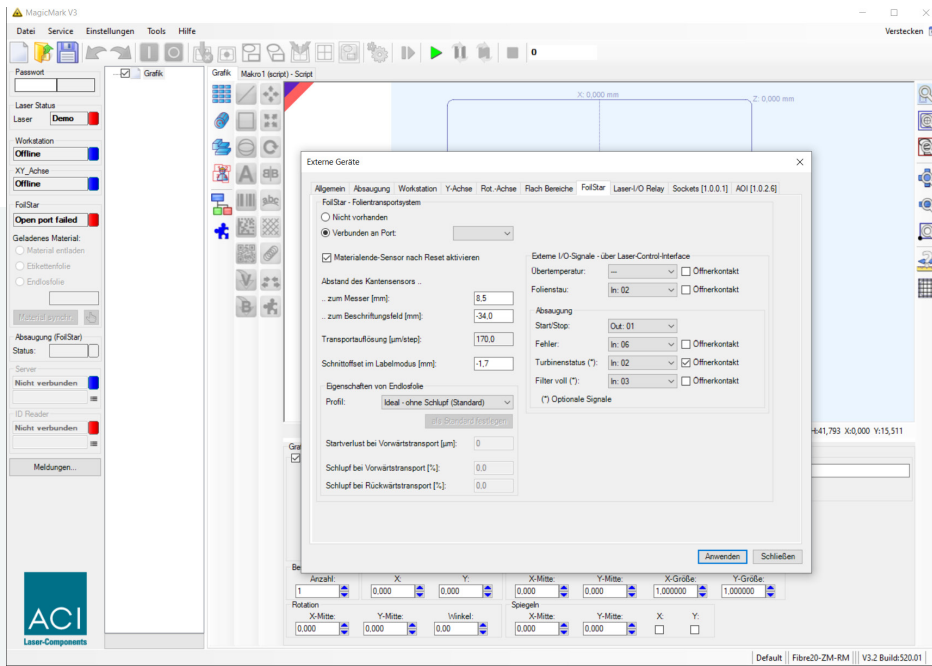
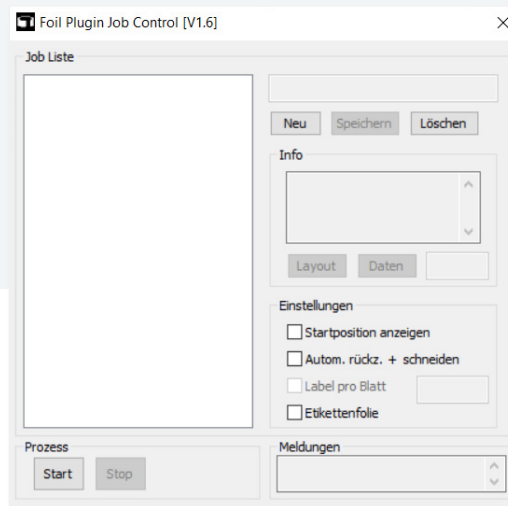


Fig. 1
Magic Mark software interface with Foil Star plugin and Foil Star configuration window.

Fig. 2
"Job Control" for Foil Star plugin: Program for creating and processing marking jobs





Partnerships with ACI Laser Benefits for customers

The search for excellent partnerships is at the heart of everything we do. We offer our customers sustainable solutions based on all-encompassing advice, reliability and stability.

ACI Laser embodies:

- ✓ *Made in Germany* development and production with over 20 years of experience
- ✓ Complete solutions from a single source: Laser systems, protective housings, software and accessories
- ✓ Customisable laser systems
- ✓ Functions can easily be added to the software using plugins


Made in Germany



Laser. Marking. Solutions.



We would be happy to advise you.

We guarantee you a tailor-made, all-in-one solution that meets the requirements of your application. Our experienced sales team provides you with intensive consultation. We look forward to hearing from you.

© ACI Laser GmbH
www.aci-laser.de

Last updated: 04/2022
Subject to change

Company headquarters
Steinbrüchenstr. 14
99428 Grammetal, Germany
Tel. +49 (0) 3643 4152 0
Fax +49 (0) 3643 4152 77
kontakt@ACI-Laser.de

Chemnitz sales office
Leipziger Str. 60
09113 Chemnitz, Germany
Tel. +49 (0) 371 238701 30
Fax +49 (0) 371 238701 39
soc@ACI-Laser.de